



Installation instructions

Contents

SECTION

1. Parts referred to in these instructions	2
2. Introduction	3
3. Installing your Otter	4

Thank you for buying the Nibotechnics Otter.

Symbols used adjacent to the text in these instructions:



Danger Means: electrical hazard warning, failure to understand and obey this warning may result in electrical shock.



Warning Means: failure to understand and obey this warning may result in injury to you or to others.



Caution Means: failure to follow these instructions may cause damage to all or parts of the system or equipment



Note Means: this is important information for the correct use of this system or equipment

1. Parts referred to in these instructions

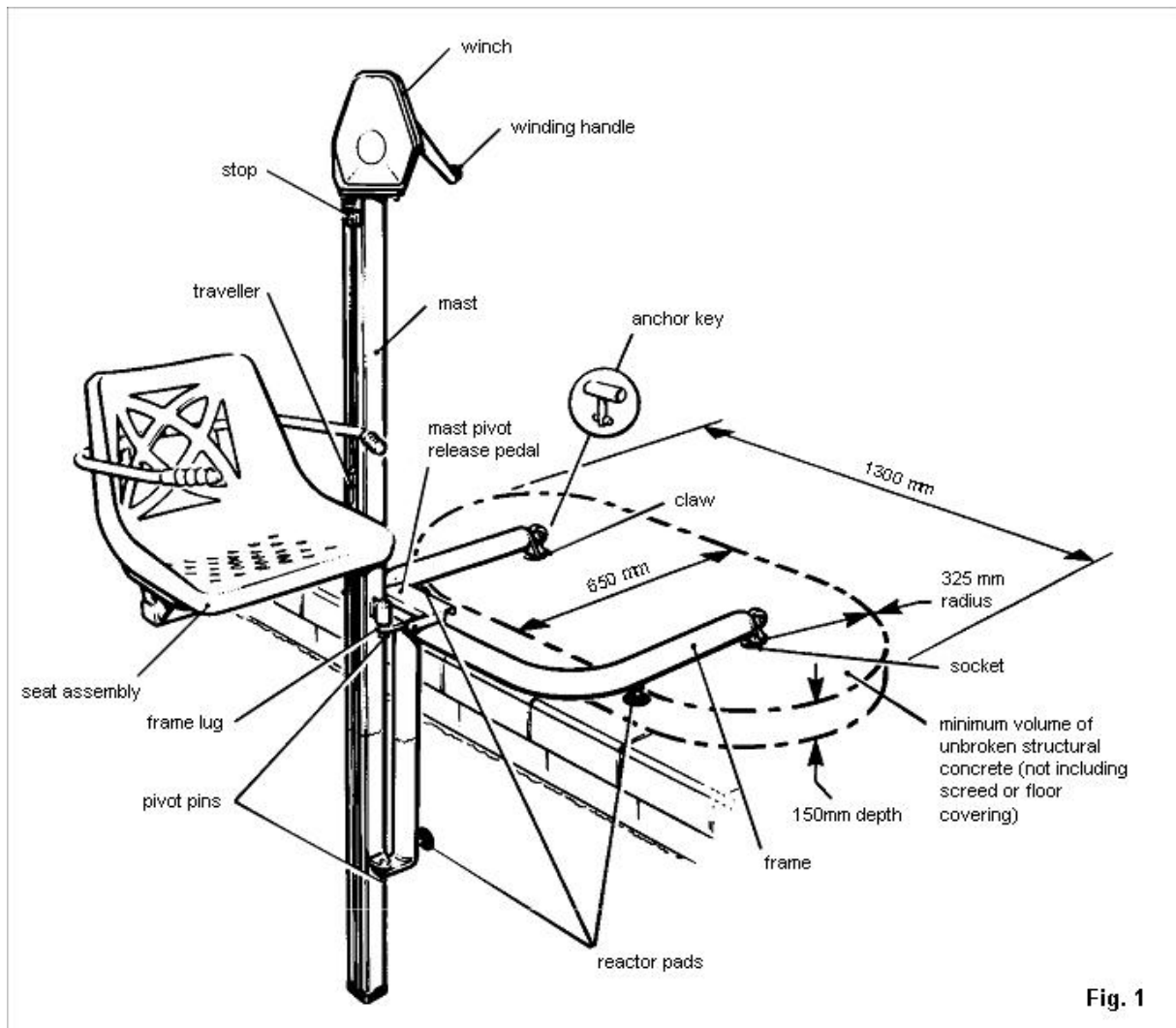


Fig. 1

2. Introduction



Important: Before attempting to install the 'Otter', read and thoroughly understand these Installation Instructions.



Before installation, always thoroughly check the construction of the pool side where the 'Otter' is to be positioned. Also check that the pool side flooring material is of adequate strength and ensure that there is a minimum volume of unbroken structural concrete around the sockets (see Fig. 1), and that the area under each reactor pad is load bearing.



When fully loaded, the 'Otter' structure exerts a horizontal force away from the pool side of 1148N (258lbf). The pool side structure must be able to withstand this force.



If you are in any doubt as to the suitability of the site conditions, then contact your authorized distributor for advice prior to installation.



Wear suitable eye, ear, respiratory and hand protection when drilling, chiseling and handling chemical substances.



Care should be taken when lifting components to avoid injury.

Some information contained in these instructions may become outdated, due to improvements made to this product in the future. If you have any questions regarding these instructions or your hoist, please contact your approved distributor.

Nibotechnics nv policy is one of continuous development, and therefore reserve the right to change specifications without notice.

3. Installing your Otter

Positioning the frame

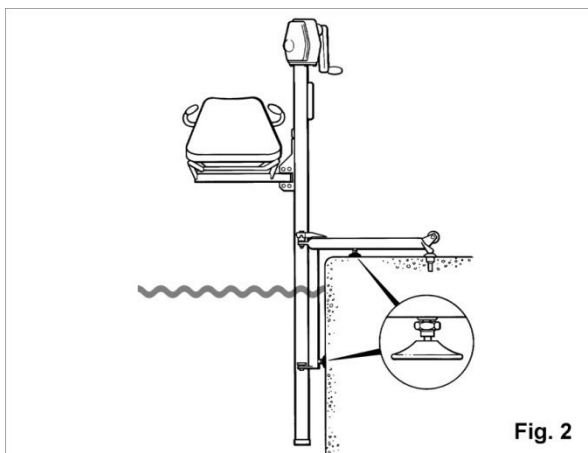


Fig. 2

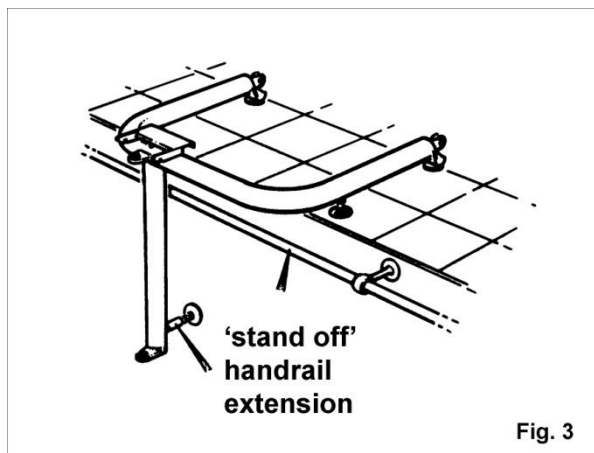
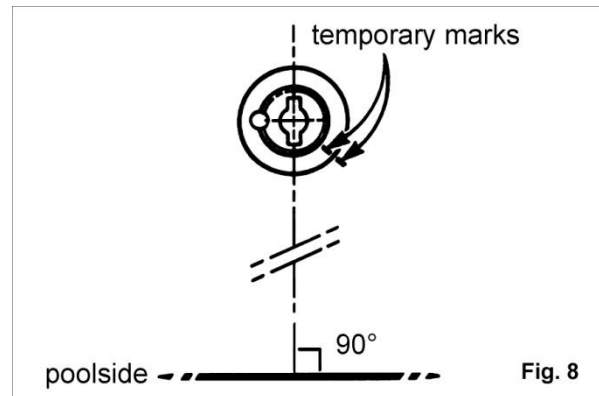
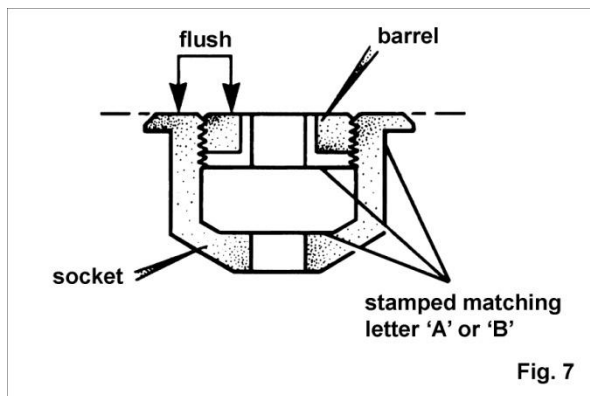


Fig. 3

Slacken the locknuts and screw the reactors fully into the tapped holes in the frame. (see Fig. 2)

- **Note:** If the pool has a 'stand off' type handrail, (see Fig.3), then the correct length of 'extension' will have to be fitted into the tapped hole in the vertical frame leg, in place of the reactor pad. Use a small quantity of 'Loctite 638' or equivalent on the thread.
Refit the reactor pad into the tapped hole in the extension as previous instruction.

Fixing the sockets

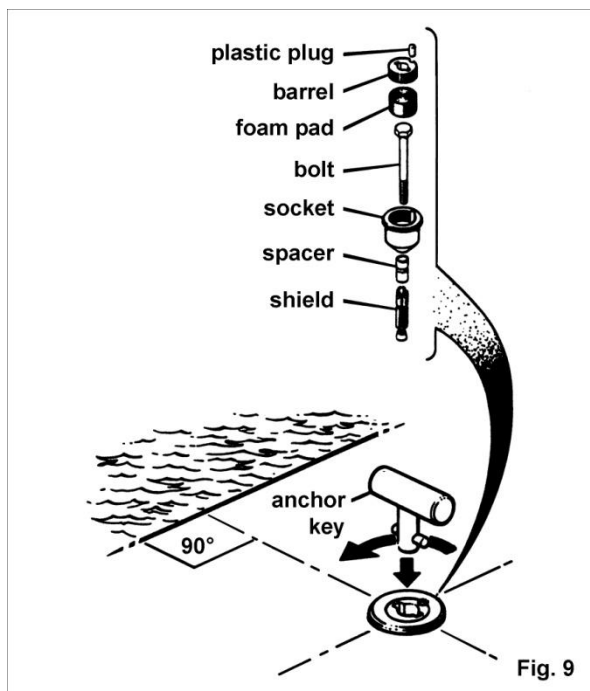


Select the correct barrels to match each socket, (identified by a stamped letter A or B), then screw the barrels into the sockets, (with the cross cuts on each barrel facing downwards), until the top faces of barrel and socket are level, and the 'half holes' align (see Fig. 7).

Place the sockets with barrels in this condition into the 40mm diameter holes, with the key slots aligned at right angles to the pool side as shown in Figs. 8 and 9.

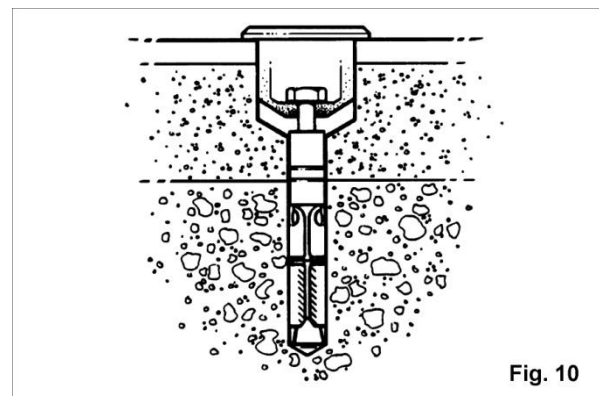
Temporarily mark the sockets and pool deck to enable exact replacement (see Fig. 8).

Remove the sockets complete with barrels from the holes and unscrew barrels from the sockets.



Assemble the sockets with the fixing bolts, (as shown in Fig. 10), applying clear silicone sealer to the underside of the bolt head and the underside of the socket flanges.

Replace the socket/bolt assemblies into the holes, ensuring the temporary marks align, and then tighten the bolts to a torque of 50 Nm (37 lb/ft) (see Fig. 10).

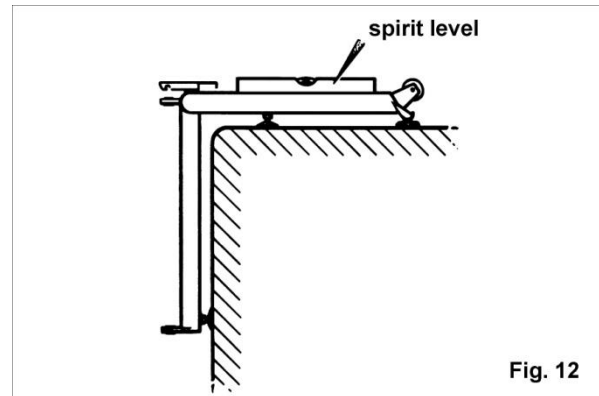
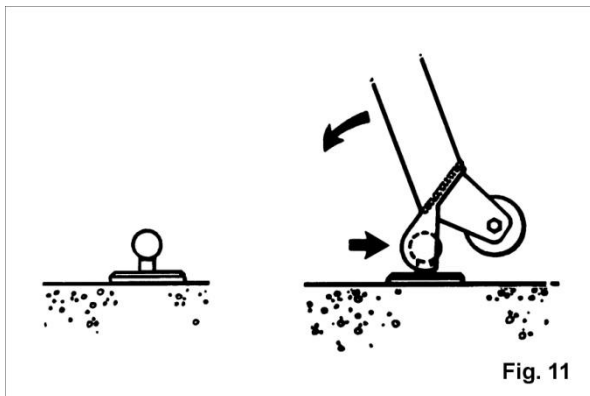


Securing the frame

Firstly ensure the correct barrel is with each socket and that they are free of any dust or debris. Press the foam pads into each socket, then screw in the matching barrel until the top faces are flush, and the key slots are aligned at right angles to the pool side. Knock the plastic plugs supplied into the aligned holes in the barrels and sockets, flush with the top, thus locking the two in position.

Insert the anchor keys into the barrel key slots and turn through 90 degrees (see Fig. 9).

Locate the 'claw' feet of the frame under the anchor key heads and lower the frame down into position over the pool edge, ensuring the 'claw' feet are kept well into contact with the key heads (see Fig. 11).



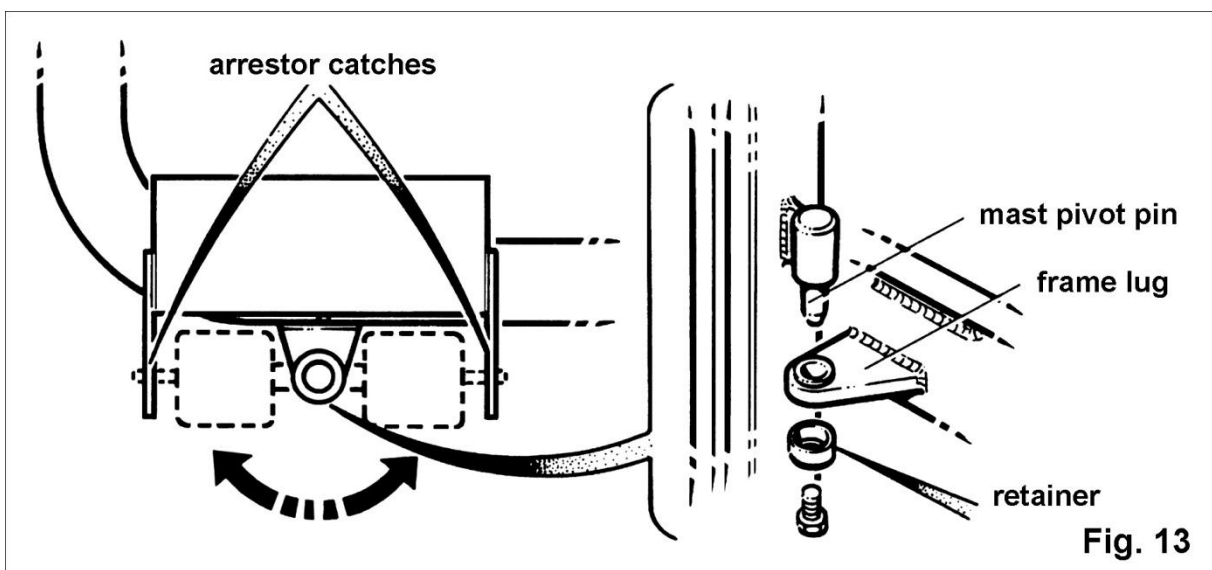
- **Note:** The reactor pads in the frame side members may need to be screwed in prior to adjusting the vertical frame reactor pad to enable correct horizontal alignment.

Adjust the reactor pads in both frame side members until they just touch the pool deck, then tighten the locknuts.

With a spirit level placed on top of one of the frame side members, adjust the vertical frame leg reactor pad until the frame is level, then tighten the locknut (see Fig. 12).

Attaching the mast

Attach the mast to the frame, by first removing the retainer from the upper mast pivot pin. Locate the mast pivot pins into the frame lugs, then refit the retainer and tighten the screw securely. Ensure the mast pivots freely and that the arrestor catches operate in both positions (see Fig. 13).



Fitting the seat

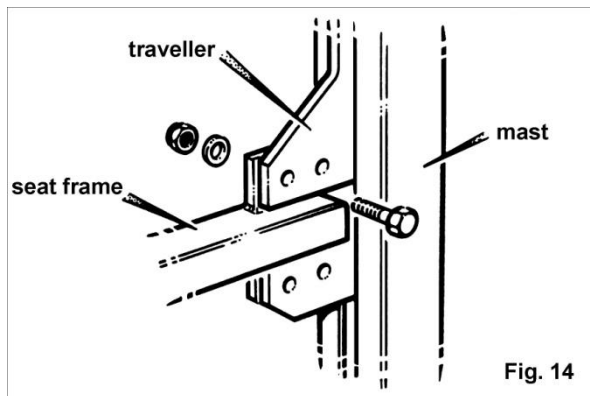


Secure the seat frame assembly to the mast traveller using the four bolts, washers and nuts supplied (see Fig. 14). Tighten the nuts securely.

Slacken the mast traveller stop, (if necessary), and allow it to rest on the top of the traveller. Position the seat at a comfortable patient transfer height, then clamp the mast traveller stop to the mast by retightening the screws.



Your Otter is now ready for use. Before using your Otter, always refer to Otter Operating Instructions.



We strongly advise and warn that only Company Designated Parts, which are designed for the purpose, should be used on equipment and other appliances supplied by the Company, to avoid injuries attributable to the use of inadequate parts.

The Company's Conditions of sale make specific provision confirming no liability in such circumstances.

Our policy is one of continuous development, and we therefore reserve the right to change specifications without notice.

Produced by:

Nibotechnics nv

Heikant 5 | 3930 Hamont-Achel | Belgium

T +32 (11) 80 20 40 | info@nibotechnics.com | www.nibotechnics.com