



# Installation instructions

# Contents

## SECTION

|  |   |
|--|---|
| 1. Parts referred to in these instructions ..... | 2 |
| 2. Introduction .....                            | 3 |
| 3. Installing your Autolift .....                | 4 |

Thank you for buying the Nibotechnics Autolift.

Symbols used adjacent to the text in these instructions:



**Danger** Means: electrical hazard warning, failure to understand and obey this warning may result in electrical shock.



**Warning** Means: failure to understand and obey this warning may result in injury to you or to others.



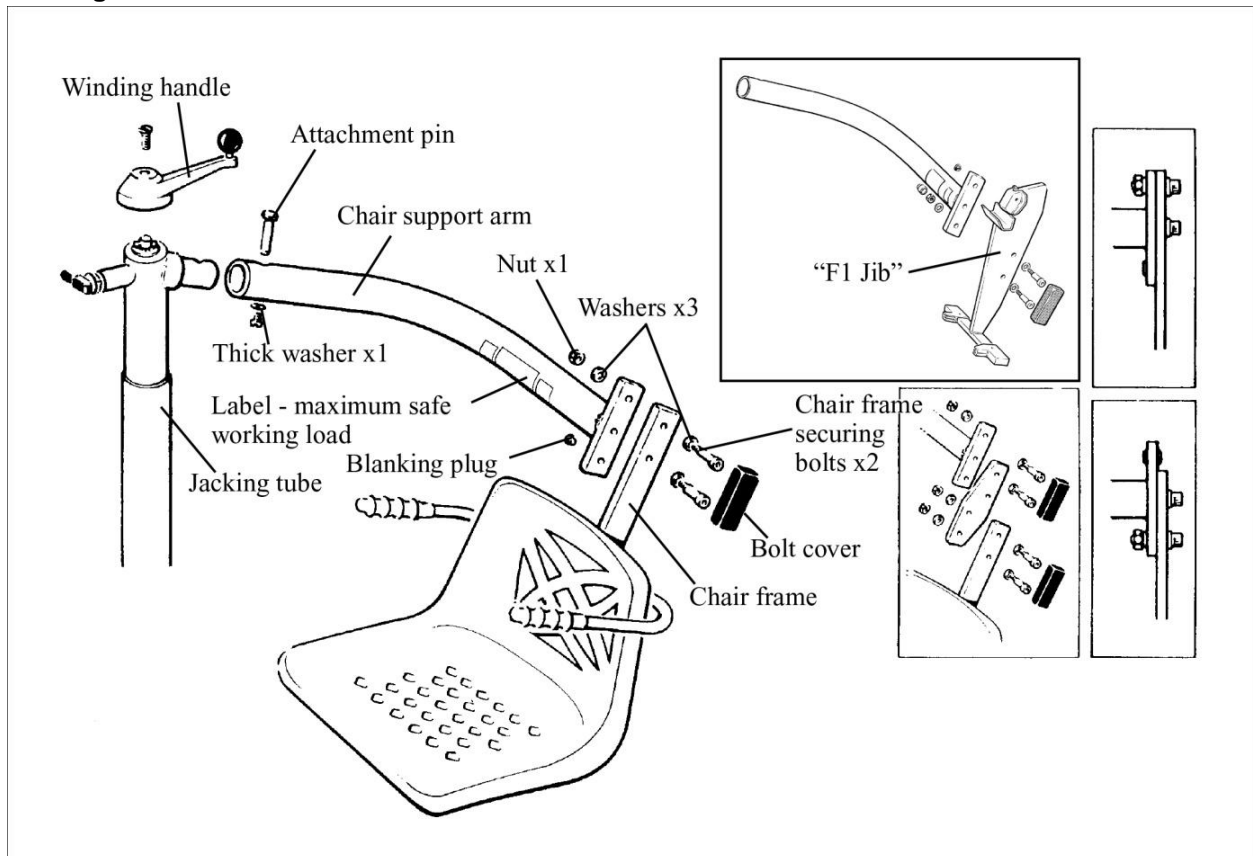
**Caution** Means: failure to follow these instructions may cause damage to all or parts of the system or equipment



**Note** Means: this is important information for the correct use of this system or equipment

## 1. Parts referred to in these instructions

Fig. 1



## 2. Introduction

Before attempting to assemble your Nibotechnics Autolift thoroughly read and understand these installation instructions.

Installation, examination and testing should be carried out by competent, fully trained personnel.

The simplest, safest and most effective way to install your product is to have it professionally installed and load tested by a Nibotechnics approved engineer using Nibotechnics approved tools and test equipment.

For information on installation, servicing and maintenance contracts please contact your local Nibotechnics distributor.

Before installation, always thoroughly check the construction of the floor where the Autolift is to be positioned. Also check that the flooring is of adequate strength, this will include, the material specification and the soundness and/or deterioration of the material. If in any doubt as to the strength of the floor or if the flooring type does not coincide with the categories mentioned below, then do not install the Autolift but contact Nibotechnics nv or their approved distributor for more technical information.

If possible, scan the floor with a metal detector in order to detect and avoid any underfloor services.

The Autolift is assembled as shown in Fig. 1. The chair may have to be attached to the chair frame (by using the two screws provided).

The choice of position (upper or lower) for the chair and frame on the end of the curved support arm will depend on the height of the bather using the equipment and the relative position of the bottom of the bath to the level of the floor.

The lower position is preferred for persons of average height, (unless the bath height is a problem). Shorter self operators should have the chair mounted in the lowest position.

If the operation of the equipment is to be carried out by a person other than the bather then this chair position will not be of any consequence.

Ensure the chair frame securing bolts are well tightened before using the equipment.

- *Note:- Blanking plugs are provided to seal the un-used adjustment holes.*

If the seat height needs to be raised or lowered more than the amount of adjustment on the standard unit, then an extension plate can be supplied by Nibotechnics upon request.

The curved chair support arm in Fig. 1 may be mounted either for left or right handed operation, simply by rotating the curved arm through 180°.

Care should be taken when lifting components to avoid injury.

Eye protection should be worn when drilling holes.

Some information contained in these instructions may become outdated, due to improvements made to this product in the future. If you have any questions regarding these instructions or your hoist, please contact Nibotechnics or their approved distributor.

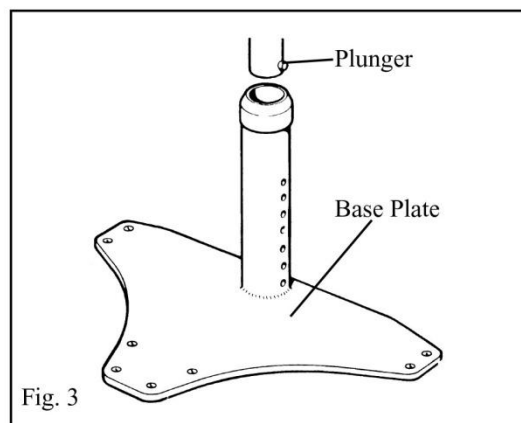
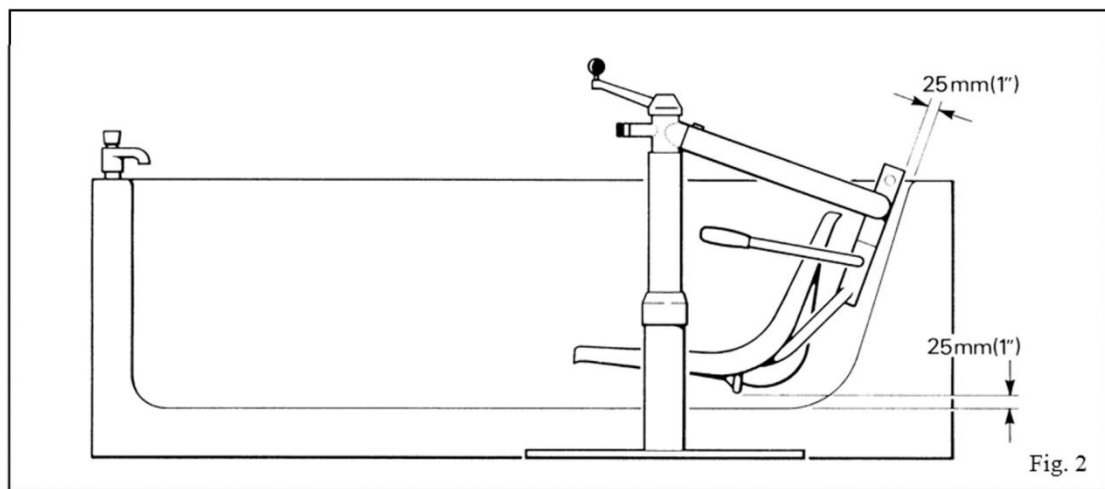
Nibotechnics policy is one of continuous development, and therefore reserve the right to change specifications without notice.

## 2. Installing your Autolift

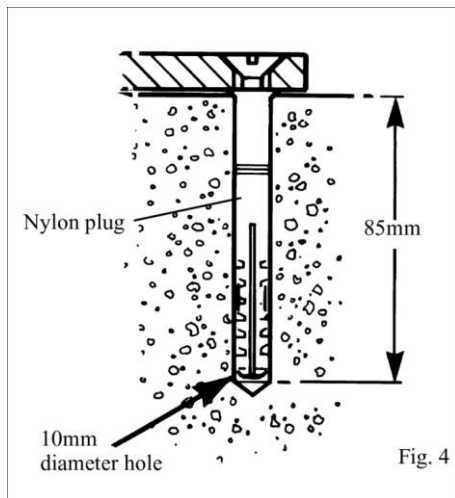
Position the assembled unit adjacent to the bath and ensuring the chair is central and parallel to the bath, lower the chair to within 25 mm (1") of the bottom and the end of the bath (see Fig. 2).

Using the winding handle, raise the chair up and fully rotate, ensuring there is adequate clearance for the bather's legs. When the best position has been ascertained, mark the position of the base on the floor, ensure the base does not move.

Remove the elevating unit from the base plate socket, by pressing in the plunger and pulling outwards (see Fig. 3).



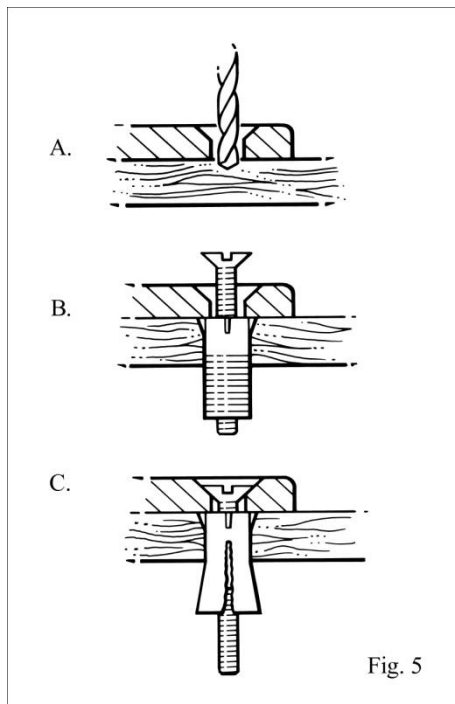
*For Solid Concrete Floors only (see Fig. 4)*



Using a 7 mm diameter masonry drill, drill through all the holes in the base, then remove the base and increase each hole to a diameter of 10 mm and to a depth of 85 mm.

Clear the dust from the holes using a vacuum cleaner and insert the nylon plug until the top is in level with the floor. (see Fig. 4)

*For Wooden Floors only (see Fig. 5)*



Only install the Autolift on to a wooden floor if the floor boarding is 12 mm or more thick.

Using an 8 mm diameter drill, drill through the centre of all the holes in the base.

Slight repositioning of the base may be necessary to avoid joints or nails in the floorboards.

If the drill has to enter a joist then drill the hole to a depth of 70 mm. (see Fig.6)

- *Note: If the expansion anchor enters a joist, tightening the screws will still ensure a secure fixing.*

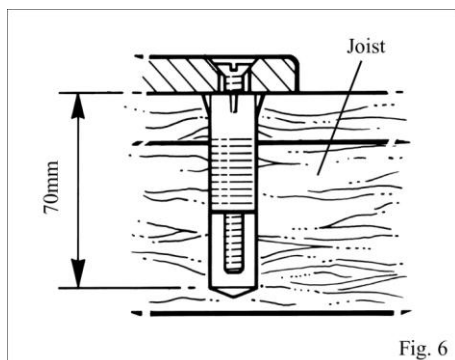


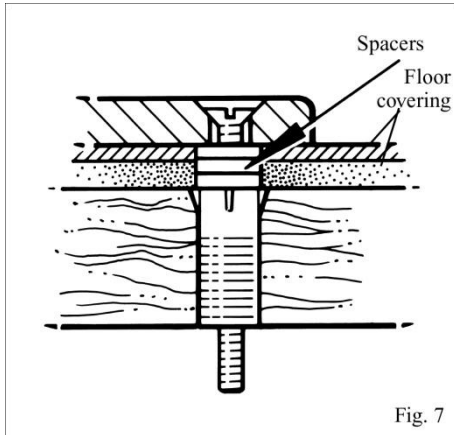
For increased security, the floorboards must be screwed down to the joists in the vicinity of the base with appropriate wood screws.

Using the fixing screw insert each nylon expansion anchor in position.

Remove the fixing screws leaving the expansion anchor in position.

- *Note: The anchor may have to be lightly tapped in to 'bed in' the small taper wedges on the top of the anchor.*





If a wooden floor is fitted with a floor covering eg. hardboard, tiles, carpet, plastic flooring etc, the expansion anchor should be inserted so it's top face is flush with the original wooden floor. (see Fig 7)

The resulting gap between the top of the anchor/floorboarding and the finished floor level (tip surface of floor covering) must be made up using the spacers supplied.

### *Continuation (for concrete and wooden floors)*

Position the base over the nylon plugs/expansion anchors and secure with the screws, as shown in Figs. 4 and 5. Tighten the screws to form a rigid fixing.



*Ensure all bolts and screws are fully tightened on the unit and base.*

Re-position the elevating unit and chair into the base plate socket.

Check that the base is securely fixed by putting your weight on the outside of the chair.

Rotate the chair and test in several positions.

With the elevating unit adjustment plunger inserted into the top hole of the base plate socket.

Position the chair over the bath and wind the handle until the chair is at its lowest position.

Support the jacking tube by holding where the curved chair support arm joins it (a second person may be required for this operation) press in the adjustment plunger and slide the complete jacking unit down in the base socket until the correct chair position has been attained (see Fig. 2). Release the plunger into the next highest hole in the base socket.

When the Autolift has been installed, before it is used it must be thoroughly examined and load the maximum safe working load (SWL) (shown on the rating label attached to the support arm).

When it has been inspected and load tested satisfactorily your Autolift is then ready for use.

### *Aftercare (see also Autolift operating instruction booklet)*

**UK HOISTS ONLY:** A thorough examination of the Autolift, load testing of the base fixings at the specified load (x 1,5 SWL) and checking for soundness and/or deterioration of the flooring material in the vicinity of the Autolift must be carried out regularly every six months to conform to the mandatory LOLER (Lifting Operations and Lifting Equipment Regulations 1998) examination and also at the annual service.

**NON UK HOISTS ONLY:** A thorough examination of the Autolift, load testing of the base fixings at the specified load (x 1,5 SWL) and checking for soundness and/or deterioration of the flooring material in the vicinity of the Autolift must be carried out regularly every six months and also at the annual service.

If the Autolift has to be removed for any reason then has to be re-installed in the same position, the fixing holes and surrounding area should be carefully inspected. If the fixing holes are enlarged or distorted or the surrounding area has deteriorated or been damaged do not install at the same position until the fault/s has been rectified.

*We strongly advise and warn that only Company Designated Parts, which are designed for the purpose, should be used on equipment and other appliances supplied by the Company, to avoid injuries attributable to the use of inadequate parts.*

*The Company's Conditions of sale make specific provision confirming no liability in such circumstances.*

*Our policy is one of continuous development, and we therefore reserve the right to change specifications without notice.*

Produced by:

**Nibotechnics nv**

Heikant 5 | 3930 Hamont-Achel | Belgium

T +32 (11) 80 20 40 | [info@nibotechnics.com](mailto:info@nibotechnics.com) | [www.nibotechnics.com](http://www.nibotechnics.com)