



Autolift manual

Operating and Product Care Instructions

# Introduction

© Nibotechnics

Nibotechnics products are patented or patent pending. Patent information is available by contacting Nibotechnics.

The policy of Nibotechnics is one of continuous development and we therefore reserve the right to make technical alterations without notice. The content of this publication may not be copied either whole or in part without the consent of Nibotechnics.

This product and its accessories have been manufactured by :

Nibotechnics nv, Heikant 5, B-3930 Hamont-Achel, Belgium

'Autolift' is a registered trademark of Nibotechnics.

## Foreword

Thank you for purchasing Nibotechnics equipment.

Your Autolift is one of a series of quality products designed especially for hospitals, nursing homes and other health care environments.

Please contact your local Nibotechnics representative or dealer if you have any questions about the operation or maintenance of your equipment (the telephone number appears on the last page of this manual).

All references to 'the resident' in these instructions refer to the person being lifted, and references to 'the caregiver' refer to the person who operates the Autolift.

References to left and right of the lift in these instructions are as viewed when you are standing at the rear of the Autolift, facing forward, (as viewed from the caregiver's pushing position).

Lifting operations in these instructions are described as if lifting a resident from a chair. The same operations can be performed effectively when lifting a resident from a wheelchair or sitting position on a bed, although a second caregiver should support the resident if the resident lacks sitting balance.

### Operational Life

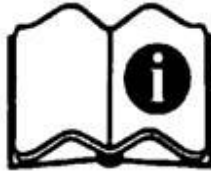
The operational life of the Autolift and its accessories e.g. chair etc. is dependent on the actual use conditions. Therefore, before use, always make sure that the lift is safe to use and has not been damaged (see Preventive Maintenance Schedule at the end of this document for details). If any damage should be observed, do not use the Autolift.

# Contents

## SECTION

<b>1. Safety instructions .....</b>	<b>4</b>
1.1 Intended use .....	4
<b>2. Product description / function .....</b>	<b>6</b>
2.1 Parts referred to in this manual .....	6
<b>3. Using your Autolift .....</b>	<b>8</b>
<b>4. Using the removable commode / toilet chair and frame with the mobile sub-chassis .....</b>	<b>11</b>
4.1 Taking the resident from the bedside .....	12
4.2 Transferring in the bathroom .....	13
<b>5. Care of your Autolift .....</b>	<b>15</b>
5.1 Cleaning and disinfecting the toilet / commode chair .....	15
5.2 General hoist condition .....	17
5.3 Servicing advice .....	17
<b>6. Labels .....</b>	<b>18</b>
<b>7. Technical specs .....</b>	<b>21</b>
<b>8. Preventive maintenance schedule .....</b>	<b>23</b>

# 1. Safety instructions



READ BEFORE USE

Before using your Autolift, familiarize yourself with the various parts and controls as illustrated in this document. Read this whole manual thoroughly before operating your Autolift in order to prevent injury or damage to the product.

Definitions used in these instructions:

## **WARNING**

**Means: Failure to follow these instructions may result in injury to yourself or to others.**

## **CAUTION**

**Means: Failure to follow these instructions may cause damage to the products.**

### 1.1 Intended use

Autolift is a strong bathing aid which utilizes very simple principles to solve the bathing problems experienced by the elderly and disabled. It can be used for independent as well as for assisted bathing.

To describe which residents may be lifted using an Nibotechnics hoist.

The Autolift has been designed to lift a person, who:

- is mobile, but may use a cane for support;
- is independent, can clean & dress himself;
- can tire quickly

The Autolift can also be used to lift a person, who:

- uses a walking frame or similar;
- can support herself to some degree;
- is dependent on caregiver, who is present in demanding situations;
- is not physically demanding for caregiver.

## **WARNING**

**A clinical assessment should be carried out by a qualified nurse or therapist before lifting residents for suitability of transfer in the Autolift e.g. residents who have curvature of the spine or who are subject to muscle spasms or other residents may not be suitable.**

## **WARNING**

**Do not overload the Autolift beyond the approved maximum lifting capacity of the lift. For information on the approved maximum lifting capacity, check the serial number sticker on the lifting column.**

To raise or lower the chair, wind the handle, (see Fig. 1).

The support arm and chair will rotate around the lifting column and lock into two determined positions. The support arm is released by operating (in either direction) the spring loaded rotation lock release lever (see Fig. 1). Once free from the locking position, the support arm will rotate until the next locking position has been reached, it will then automatically lock into position.

Your Autolift may be equipped with the standard fixed seat, fixed commode seat or removable commode / toilet seat. The last two models may have a removable leg rest attachment fitted, if required (see Fig. 1).

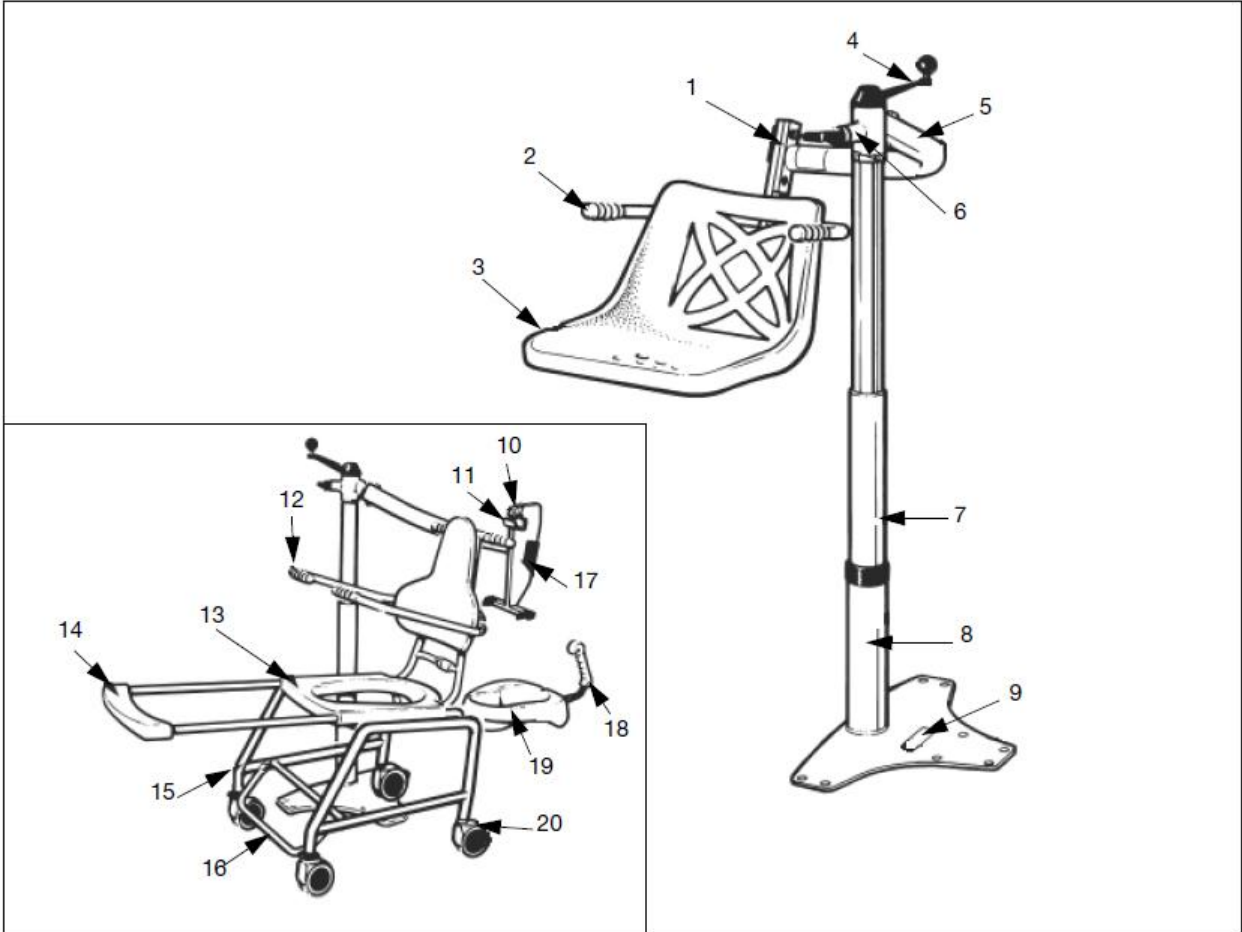
The instructions for transfer, locking, raising and lowering are the same for whichever seat is fitted to the Autolift.

The removable commode / toilet seat, when detached from the Autolift, may be used together with the Nibotechnics mobile sub-chassis. This sub-chassis excepts the chair unit for easy resident transportation to the Autolift, without the need to use a separate wheelchair or resident transfer across from wheelchair to Autolift chair.

# 2. Product description / Function

## 2.1 Parts referred to in the manual

Fig 1.



1. Adjustment / Fixing plate
2. Fixed armrest
3. Standard seat
4. Raising / lowering handle
5. Support arm
6. Rotation lock release lever
7. Lifting column
8. Height adjustment holes with sprung loaded peg
9. Base plate
10. Chair retaining catch
11. Chair frame support channel
12. Fold back p
13. Removable commode / toilet chair
14. Leg rest
15. Mobile sub-chassis
16. Footrest
17. F1 Lifting support bracket
18. Commode pan attachment
19. Commode pan
20. Braked castors

### 3. Using your Autolift

**WARNING**

**Never leave the resident unattended.**

**Always work according to good bathing principles e.g. check water temperature, water depth, care of the resident, etc.**

The operations in these instructions are described as if the resident is being aided by a caregiver. If the resident has the ability to operate the Autolift unaided, the same instructions apply but must be carried out by the resident alone.

**WARNING**

**When transferring from or to a wheelchair, always engage the wheelchair brakes before the transfer.**

Operate the rotation lock release lever to position the seat outside the bath and at a suitable height for the resident to transfer safely onto the seat (see Fig. 2).



**WARNING**

**Always ensure the rotation lock has operated to fully lock the support arm in position before resident transfer.**

Once the resident has been transferred and is seated comfortably, move the wheelchair (if used) away slightly for free movement.

Wind the handle to raise the seat and resident sufficiently high enough to clear the side of the bath.

Operate the rotation lock release lever and rotate the chair towards the bath. Then lift or help the resident's legs over the side of the bath (see Fig. 3).





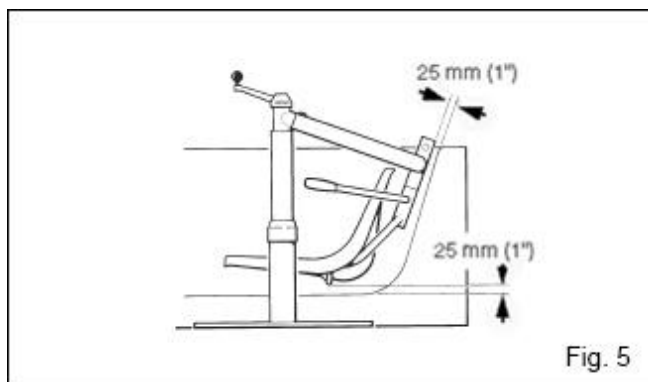
If a commode / toilet seat is fitted, a leg rest may be used to support the resident's legs (see Fig. 4).



Once the chair has been rotated to align with the centre of the bath, the rotation lock will operate. Wind the handle to lower the chair and resident into the water.

**CAUTION**

**The chair should be lowered until it is about 2.5cm (1") from the bottom of the bath to avoid scratching or marking the tub (see Fig. 5).**



## Using your Autolift

The resident should remain on the chair for bathing.

After bathing, raise the chair as desired and if facilities permit, carefully shower off the resident.

Ensure the chair and resident are lifted high enough to clear the side of the bath, then release the rotation lock and move the resident over the side of the bath, lifting or helping the resident's legs over the side, as before.

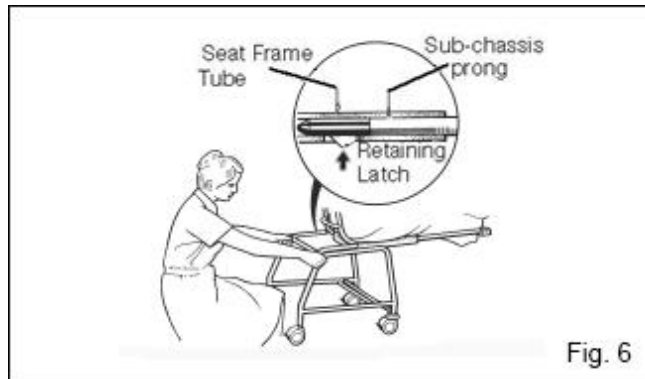
Dry the resident off (this can be done at a comfortable working height for the caregiver and best done with the rotation lock in operation).

With the support arm locked in position, wind the handle to lower the resident to the transfer height as before. Re-dress the resident if desired, then transfer back to wheelchair etc.

Never attempt resident transfer unless the wheelchair brakes are applied or the Autolift rotation lock is engaged.

## 4. Using the removable commode / toilet chair and frame with the mobile sub-chassis

To connect the sub-chassis to the chair and frame, simply slide the locating prongs of the sub-chassis into the seat frame tubes at the rear of the seat (see Fig. 6). Push the prongs in until the retaining latch operates (see inset to Fig. 6).



The retaining latch fitted to the left hand prong of the sub-chassis automatically springs through a slot in the chair frame tube when aligned. This ensures the chair cannot accidentally be detached from the sub-chassis. Press in the catch and remove the chair.

### 4.1 Taking the resident from the bedside

If the caregiver has to transfer the resident from the bedside to the commode / toilet chair and sub-chassis, firstly, fold back the chair arms (see Fig. 7) and fold back the sub-chassis foot rest. Position the sub-chassis by the bedside and apply all the sub-chassis brakes.



Carefully help the resident to a comfortable seating position on the chair unit and fold the chair arms back to encircle the resident. Lower the foot rest and place the resident's feet on it.

If necessary and available, fit the commode pan attachment to the back of the chair unit.

Release the brakes and transport the resident to the bathroom.

If desired, the resident may be toileted by reversing the unit over the toilet before or after bathing.

**CAUTION**

**Remember to remove the commode pan attachment if using over a toilet.**

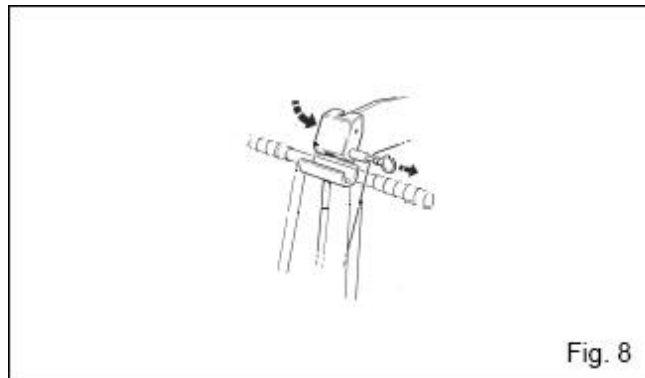
**4.2 Transferring in the bathroom**

Once in the bathroom, reverse the chair unit and adjust the Autolift arm height so that the centre of the top handle tube of the seat frame will fit into the support channel of the Autolift lifting support bracket (see Fig. 8). Wind the handle to raise and connect the chair unit.

To operate the chair retaining catch when removing the chair, simply insert a finger through the ring pull and pull outwards to release the catch (see Fig. 8) then pivot the catch back to allow the chair to be lifted out.

**WARNING**

**When lifting the chair off, hold it securely so that it doesn't drop and cause personal injury or damage.**



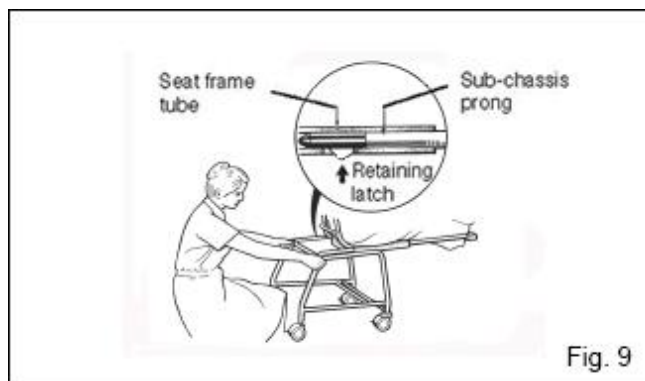
Ensure the spring loaded chair retaining catch works.

Lift the resident's legs and insert the leg rest (if available).

Remove the commode pan attachment (if fitted).

Continue to raise the resident high enough to remove the sub-chassis.

Press in the seat retaining latch on the sub-chassis (see Fig. 9) and pull the sub-chassis backwards away from the chair.



Undress the resident if not already undressed and continue as described previously.

The chair arm rests can be folded back once the resident is immersed in the water, this may give better bathing access.

After bathing, raise the resident and continue as described previously until the resident, still supported on the chair, is showered, dried and clear of the bath.

Adjust the chair to a suitable height to refit the sub-chassis.

Ensure the leg rest (if fitted) is far enough out to allow sufficient prong insertion, and ensure the retaining latch works.

Once the sub-chassis is securely connected, continue to lower the unit, operate the chair retaining catch and hold fully open clear of the chair top tube (see Fig. 9) while continuing to lower the unit. At the moment the chair retaining catch is held open by the chair frame, remove your finger from the ring pull. Continue to lower until the chair frame is free.

It is important to open the chair retaining catch just before the sub-chassis wheels contact the floor to allow smooth release of the unit.

Take the resident's legs off the leg rest (if used), remove the leg rest and place the resident's feet on the foot rest.

Return the resident to the bedside.

Complete drying the buttock area before redressing as this may have become wet during transfer and bathing process.

## 5. Care of your Autolift

How often the following actions are taken depends on how often the equipment is used. Unless otherwise stated, it is a good idea to begin once a week and then rely on experience to decide how often it is necessary in the future.

### **CAUTION**

**It is recommended that Nibotechnics hoists, equipment, accessories are regularly cleaned. If the hoists and equipment need cleaning or are suspected of being contaminated, follow the cleaning and / or disinfection procedures recommended below, before re-using the equipment. This is especially important when using the same equipment for another resident, to minimize the risk of cross infection.**

For cleaning your hoist, equipment and accessories wipe down with a damp cloth using warm water to which a mild detergent has been added

For disinfection of contaminated hoists, equipment and accessories, use the preferred method of wiping the product completely with “hard surface disinfectant wipes” that are supplied impregnated with a mild detergent.

A rubbing action will be necessary when using the wipes to promote effective disinfection of the surfaces.

### **CAUTION**

**Do not over wet areas of the product which could cause problems with internal corrosion. If a hot air dryer is used to dry the hoist, the temperature must not exceed 80°C (165°F). Do not use petroleum based solvents or similar, since this may damage plastic parts.**

### **WARNING**

**Cleaning and disinfection products must be used in accordance with the manufacturer's instructions and suitable eye, hand and clothing protection must be worn at all times when handling disinfectants.**

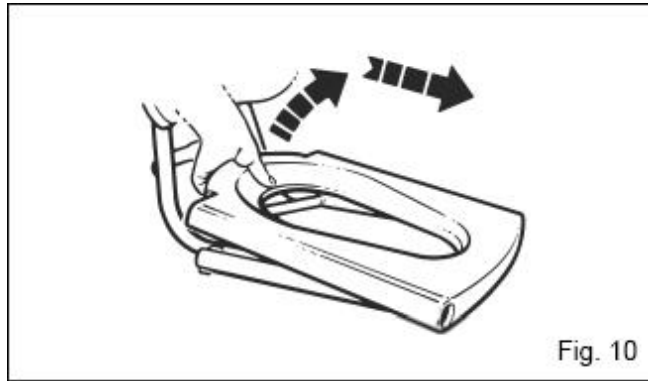
#### 5.1 Cleaning and disinfecting the toilet / commode / shower chair

For exterior areas of the seat and frame the “hard surface disinfectant wipes” mentioned above will be very effective, but for internal and crevice areas of the equipment Nibotechnics recommend that the seat and frame are immersed in a disinfectant / cleaning solution and cleaned in the following manner:

Always read the instructions on the disinfectant / cleaner container before using.

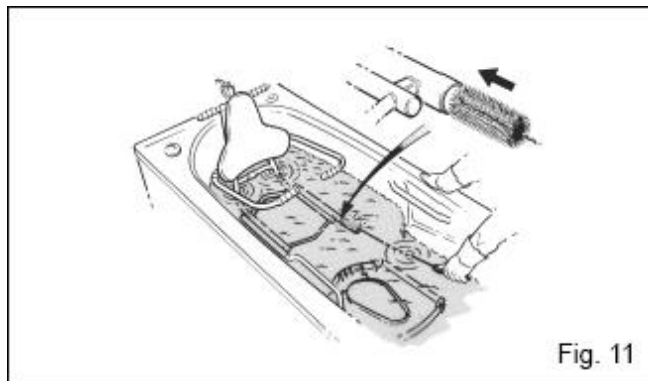
Mix a suitable quantity of solution in the bath tub (always check dilution rate on disinfectant / cleaner container).

Remove the plastic commode seat from the seat frame by pulling the rear edge up sharply to disengage the locating lugs (see Fig. 10). Slide the seat forwards a short distance until clear of the frame tubes and lift away.



Put the seat into the disinfectant solution to “soak” and then lower the seat frame into the bath (see fig. 11).

If a leg rest has been used, put this into the solution as well.



Using an appropriate long handled, stiff bristled, ‘bottle type’ brush, clean the inside of the seat support tubes thoroughly, as shown in Fig. 11.

Clean the remainder of the seat frame, paying particular attention to recesses in the framework. Raise the chair frame clear of the disinfectant solution and clean underneath.

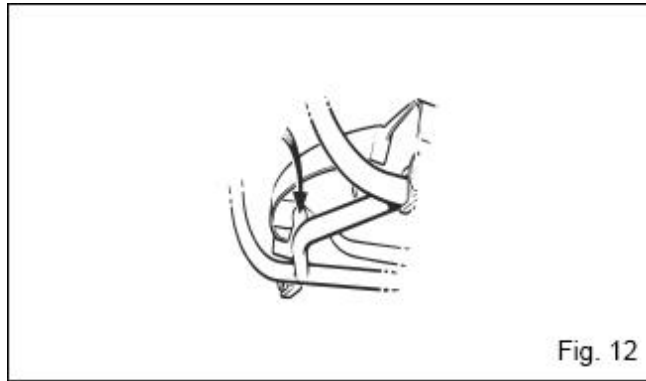
A scrubbing action is necessary as well as the disinfectant / cleaner action to clean any surface.

Clean the commode seat (and leg rest -if applicable), then drain the bath.

Rinse all parts with clean water and dry with a disposable cloth.

Thoroughly clean the brush in a fresh solution of the disinfectant/cleaner. Rinse well with clean water. Dry the brush and store ready for the next cleaning operation.

To refit the commode seat, locate the seat holes over the seat frame tubes, and align the location lugs over the rear cross bar of the seat frame, as shown in Fig. 12. Apply sharp downward blows onto the rear of the seat, (as shown in Fig.13), in two places directly above the location lugs, until the seat ‘snaps’ back into place.



**WARNING**

**Always ensure the seat is secure before allowing a resident to use it.**



**5.2 General hoist condition**

If in any doubt about the correct functioning of the Autolift, withdraw it from use and contact Nibotechnics or your dealer.

**5.3 Servicing advice**

Spare parts, if required are available from Nibotechnics or their approved dealers.

Special tools are required for certain component replacement.

UK HOISTS ONLY: Important new legislation came into force on 5th December 1998, which has an impact on the schedule of service for your resident hoist(s), variable height baths and other raising and lowering equipment. The Lifting Operations and Lifting Equipment Regulations (LOLER) 1998 and The Provision and Use of Work Equipment Regulations (PUWER 98) must be satisfied by the duty holder. A scheme of six monthly thorough examinations has been devised to comply with the law and details can be obtained from Nibotechnics.



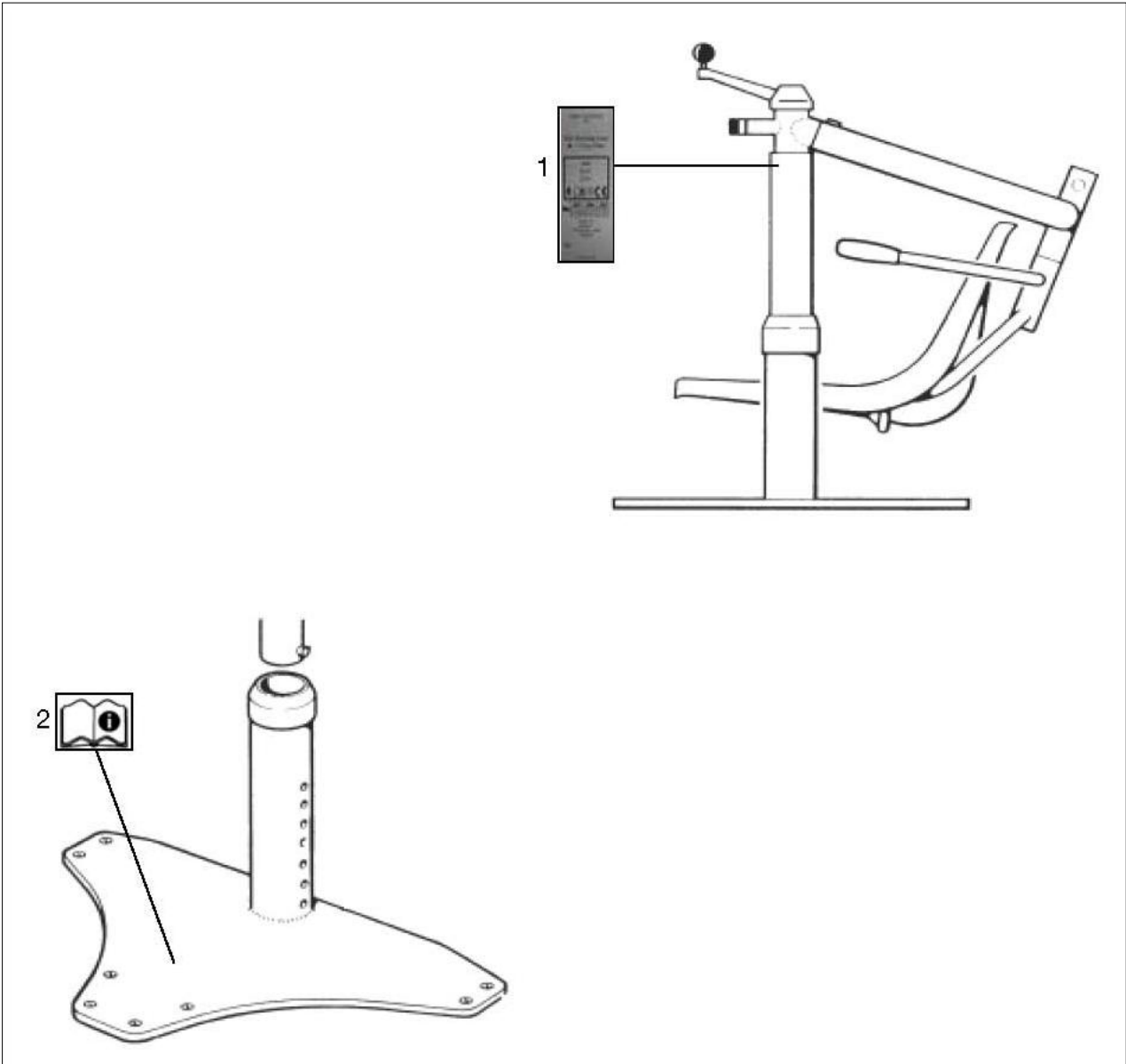
UK HOISTS ONLY: A thorough examination of the Autolift, load testing of the base fixings at the specified load (x1.5 SWL) and checking for soundness and/or deterioration of the flooring material in the vicinity of the Autolift must be carried out regularly every six months to conform to the mandatory LOLER (Lifting Operations and Lifting Equipment Regulations 1998) examination and also at the annual service.

NON UK HOISTS: A thorough examination of the Autolift, load testing of the base fixings at the specified load (x1.5 SWL) and checking for soundness and/or deterioration of the flooring material in the vicinity of the Autolift must be carried out regularly every six months and also at the annual service.

The simplest, safest and most effective way to maintain your Nibotechnics Autolift in good working order, is to have it methodically and professionally serviced by a Nibotechnics approved engineer using Nibotechnics approved spare parts.

For information on service and maintenance contracts, please contact Nibotechnics or your dealer.

6. Labels



- 1. Sticker Serial number
- 2. Read Operating & Product care Instructions

## 7. Technical specifications

### Weight

- Weight lifting column manual version ... kg
- Safe working load 127 kg

## 8. Preventive Maintenance Schedule

The Autolift is subject to wear and tear, and the following actions must be performed when specified to ensure that the product remains within its original manufacturing specification.

### **WARNING**

**The points on this checklist are the minimum the manufacturer recommends. In some cases due to heavy use of the product and exposure to aggressive environment, more frequent inspections shall be carried out. Continuing to use this product without conducting regular inspections or when a fault is found will seriously compromise the user and resident's safety. Local regulations and standards may be higher than the manufacturer's. Preventive maintenance specified in this manual can prevent accidents.**

**The parts which are entitled 'Checks to be performed by Qualified Nibotechnics personnel' have to be carried out by qualified personnel, using correct tools and knowledge of procedures. Failure to meet these requirements could result in personal injuries and / or unsafe product.**

Action/Check	Before each use	Every day	Every week	Every 12 months
<b>Nibotechnics SUB-CHASSIS, SEAT AND FRAME</b>				
Visually inspect the sub-chassis to make sure the castors and footrest are securely attached before use.	X			
Examine all exposed parts, especially where there is personal contact with the resident's body. Make sure no cracks or sharp edges have developed that could cause resident or user injury or have become unhygienic. Replace where necessary.	X			
Carry out decontamination of the sub-chassis, seat and frame in accordance with the operating instructions.			X	
Make sure all instruction labels are firmly attached and are readable. See operating instructions for location of labels.			X	
Make sure all external fittings are secure, and all screws and nuts are tight.			X	
Make sure all 4 off castors rotate freely, are securely fitted into the frame and the brakes lock.			X	
Make sure the safety catch, locking the seat frame to the sub-chassis, operates freely			X	
Optional safety chain. If installed in the ends of the arm rests, inspect the safety chains for damage/distortion and make sure they are securely installed.			X	
Make sure the handgrips are secure. Replace as necessary.			X	
<b>Nibotechnics AUTOLIFT</b>				
Chair retaining catch, where fitted - Examine the catch to make sure it operates smoothly and the spring pressure is maintained.	X			
Examine all exposed parts, especially where there is personal contact with the resident's body. Make sure no cracks or sharp edges have developed that could cause resident or user injury or have become unhygienic.		X		

Action/Check	Before each use	Every day	Every week	Every 12 months
Replace where necessary.				
Where necessary, after each resident use, carry out decontamination of the AUTOLIFT in accordance with the operation instructions.		X		
Chair pick-up hook, where fitted - Examine the pick -up hook on the jib for deformation. If found bent/distorted in any way, withdraw lifter from service immediately and replace jib. See Fig. 1			X	
Where fitted, make sure the rotation lock release lever disengages smoothly and engages under its own spring load.			X	
Make sure all external fittings are secure, and all screws and nuts are tight.			X	
Make sure all instruction labels are firmly attached and are readable. Replace as necessary. See operating instruction for location of labels.			X	
A general visual inspection of all external parts should be carried out periodically and all functions should be tested for correct operation, to ensure that no ad-verse damage has occurred during use.			X	
Inspection to be done by approved service technician. Inspect all the components within the winding mechanism for wear and damage, paying particular attention to the following and replace where necessary. Spring retainer for damage to end face. Spring for damage or broken coils. Adjustment plunger for operation and corrosion. Regrease the threaded shaft and plunger using Energrease FG00-EP or equivalent. Check all functions for correct and smooth operation. Make sure the base is mounted securely to the floor.				X

Produced by:

**Nibotechnics nv**

Heikant 5 | 3930 Hamont-Achel | Belgium

T +32 (11) 80 20 40 | [info@nibotechnics.com](mailto:info@nibotechnics.com) | [www.nibotechnics.com](http://www.nibotechnics.com)